

# HPD3

IP - surface  
 EAN 4007841 067298  
 Article number 067298



## Function description

Next Level Sensor Technology. The HPD3 is designed for ceiling mounting and detects the presence of people in the room, counts and locates them within flexibly definable detection zones. The optical sensor HPD3 offers the possibility to measure temperature and humidity. It is the ideal solution for efficient floor space utilisation and the needs-based operation of light, heating and air conditioning. With integrated HF detector and IP interface. IoT link through REST API, MQTT and BacNet. Available in surface-mounted and flush-mounted versions.

## Technical specifications

Dimensions (Ø x H)	125 x 65 mm	Mounting height max.	5,00 m
With motion detector	Yes	Optimum mounting height	2,8 m
Manufacturer's Warranty	5 years	HF-system	5,8 GHz
Settings via	Connect Bluetooth Mesh, Web-Interface	Detection angle	110 °
Version	IP - surface	Sneak-by guard	No
PU1, EAN	4007841067298	Capability of masking out individual segments	Yes
Type	Presence detector	Electronic scalability	Yes
Application, place	Indoors	Mechanical scalability	No
Application, room	lecture hall, classroom, open-plan office, conference room / meeting room, production facilities, recreation room, dining hall / staff restaurant, Indoors	Reach, radial	Optical sensor: Optischer Sensor: r = 10 m (Optischer Sensor: 96 m <sup>2</sup> )
Colour	white	Reach, tangential	Optical sensor: Optischer Sensor: r = 10 m (Optischer Sensor: 96 m <sup>2</sup> )
Colour, RAL	9016	Reach, presence	Optical sensor: Optischer Sensor: r = 10 m (Optischer Sensor: 96 m <sup>2</sup> )
Installation site	ceiling	Reach, radial 2	High frequency: Hochfrequenz: r = 9 m (Hochfrequenz: 78 m <sup>2</sup> )
Installation	Surface wiring, Ceiling		

# HPD3

IP - surface  
 EAN 4007841 067298  
 Article number 067298

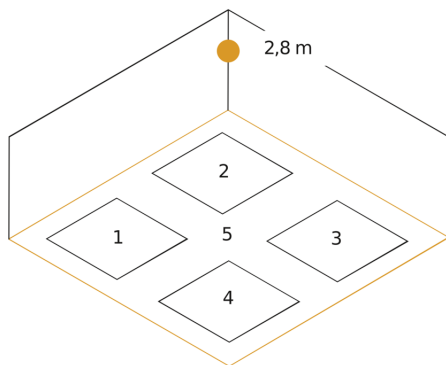


## Technical specifications

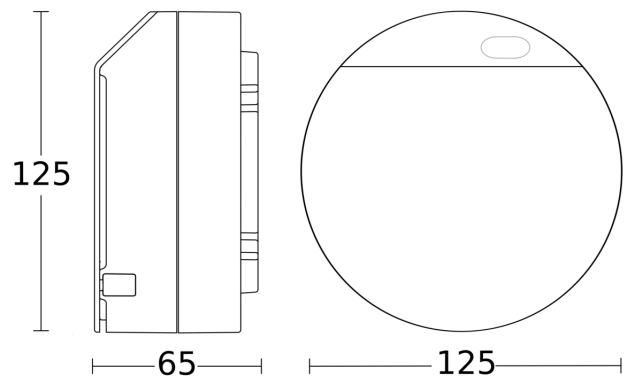
IP-rating	IP20
Protection class	III
Ambient temperature	from 0 up to 40 °C
Material	Plastic
Power supply, detail	Passive PoE SELV, standard PoE (IEEE 802.3 af)
Sensor Technology 2	High frequency
Technology, sensors	Optical sensor, High frequency, Light sensor, Temperature, Air humidity, VOC, CO2
Mounting height	2,30 – 5,00 m

Reach, tangential 2	High frequency: Hochfrequenz: r = 9 m (Hochfrequenz: 78 m <sup>2</sup> )
Transmitter power	< 1 mW
Functions	Motions sensor, Light sensor, Census of persons, Presence function, Constant-lighting control, Capture zone definition, Encrypted communication
Basic light level function	No
Main light adjustable	No
Twilight setting TEACH	No
Interconnection via	LAN, Bluetooth Mesh
Product category	Optical sensor

## Detection Zone



## Dimension Drawing



Possible mounting height: 2,30 m – 5,00 m